

Technical  
information

Terminal Tractor

# Kalmar RoRo Tractor.



4x4 TR618i

 **KALMAR**

# Kalmar 4-wheel Drive TR618i Terminal Tractor.

## Technical information.

### Engine

- Volvo TAD871VE (stage 4)  
Power: 185 kW@2200 rpm  
Torque: 1160 Nm@1100-1500 rpm  
Transmission: Dana RTE 15822  
(8+8 gears), torque converter C333.5

### Engine options

- Cummins QSB6.7 (stage 5)  
Power: 168 kW @ 2200 rpm  
Torque: 1186 Nm @ 1300 rpm  
Transmission: Dana RTE 14822  
(8+8 gears), torque converter CFL331368

### Axles

- Front axle SISU SSDP with hub reduction by 5 planet pinions
- Rear axle SISU SRDP with hub reduction by 4 planet pinions
- Axle ratio 20.57:1 as standard and 16.41:1 as option

### Chassis

- All-welded steel chassis
- High-resistance side bumpers for good protection of accessories
- Standard colour RAL 7021 (Kalmar black)

### Cabin

- Designed and tested according to strict safety (ROPS, ISO 3471:1994) standards
- Excellent visibility to all directions and superb comfort for the driver
- Tilttable 60 degrees
- Standard colour RAL 3000 (Kalmar red)

### Lift boom

- The lifting height is 1000 mm with two double-acting telescopic cylinders
- Lifting capacity on the fifth wheel is 32.000 kg as standard
- The fifth wheel has  $\pm 10^\circ$  lateral tilting
- Driver can control the tilting angle by hydraulic valve

### Hydraulic system

- Variable displacement pump capacity 125 dm<sup>3</sup>/min, pressure 200 bar
- Hydrostatic steering by orbitrol with emergency function and two double-acting steering cylinders fitted on front axle

### Pneumatic system

- Two-cylinder compressor, 8 bar working pressure
- The brake system operates with two independent circuits

### Electric system

- 24 V, negative ground, batteries 2 x 170Ah with main switch
- CAN-BUS (Controller Area Network) -interface

### Turning radius

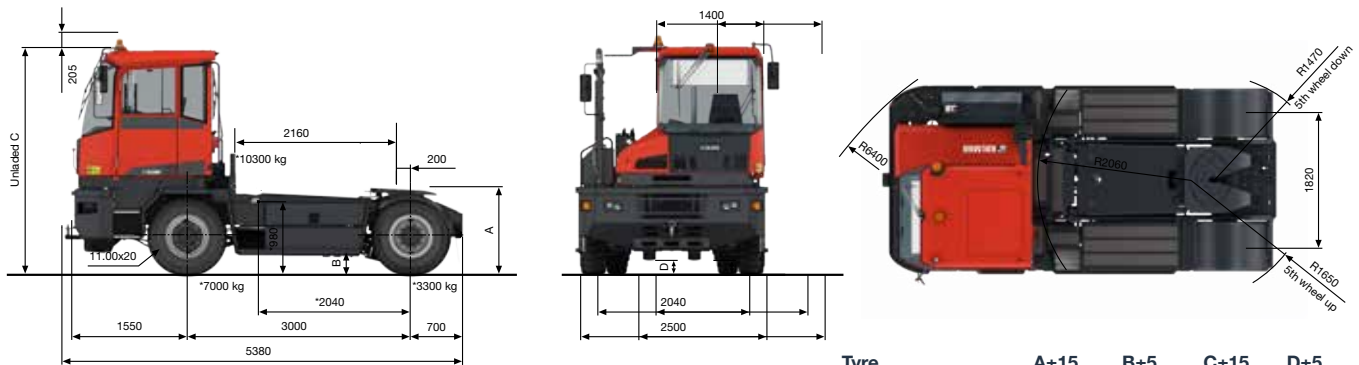
- Front fender, left: 6,40 m
- Front fender, right: 6,40 m

### Weight

- Own weight\*: 10.300 kg
- Front axle\*: 7.400 kg
- Rear axle\*: 3.300 kg
- \* Depending on specifications.

### Optional equipment

- Wide selection of optional equipment available.



Subject to change without notice. Drawing not to scale.  
\* Depending on specification.

Tyre	A±15	B±5	C±15	D±5
315/60 R22.5	1110	210	2975	120
11.00x20	1185	290	3050	200
12.00x20	1205	310	3070	220
310/80R22.5	1180	285	3130	195
315/80R22.5	1183	288	3133	198
300/80R22.5	1150	255	3100	165

## Kalmar

Ruskontie 55, PL 387  
FI-33101 Tampere, Finland

[kalmarglobal.com](http://kalmarglobal.com)

Cargotec improves the efficiency of cargo flows on land and at sea – wherever cargo is on the move. Cargotec's daughter brands Hiab, Kalmar and MacGregor are recognised leaders in cargo and load handling solutions around the world. Cargotec's global network is positioned close to customers and offers extensive services that ensure the continuous, reliable and sustainable performance of equipment.

